



GF HAKAN AQUASYSTEM® PP-R PIPE & FITTINGS

Hepworth



GF HAKAN PLASTIK is one of the world's largest plastic piping systems manufacturers. The company develops, produces and markets a comprehensive range of piping systems and components in a variety of materials used worldwide to transport water and gas at the highest quality, service and the right price. GF HAKAN PLASTIK operates in three core segments of piping systems; Building Technology, Utility and Agriculture. Its certified products are used in more than 70 countries in 5 continents worldwide.

With more than 10,000 products, GF HAKAN PLASTIK manages a land and maritime transport operation seamlessly and is able to meet the needs of its clients fully wherever they may be in the world.

HISTORY

HAKAN PLASTIK was founded in 1965 by the Karadeniz family. Since its foundation, Hakan Plastik has continuously expanded its presence in the manufacturing and sales of plastic piping systems with a focus on innovation.

In 2002, the company invested in a state of art modern facility in Çerkezköy Zone (ÇOSB), one of the three largest industrial zones in Turkey. To increase its production capacity, HAKAN PLASTIK opened up its second facility in Şanlıurfa. Both facilities totally cover an area of 170,000 m².

In 2013, the leading plastic pipe manufacturer of Europe and the Middle East, HAKAN PLASTIK and the world's leading manufacturer of piping system, Swiss-based Company, GEORG FISCHER joined forces under the name of "**GF HAKAN PLASTIK**" to provide a unique platform for further growth worldwide.

GEORG FISCHER, founded in 1802 is headquartered in Switzerland and has 125 companies, 48 of which are production facilities, in 32 countries with a workforce of 13,500 employees. The company generated sales of 3.6 billion Swiss francs in 2012. Georg Fischer operates in three core businesses GF Piping Systems, GF Automotive and GF Machining Solutions.

GF Piping System Division is a global supplier of plastic piping systems for the conveyance of liquids and gases in industry, building technology and utility applications. With over 5,000 employees, GF Piping Systems generated sales of about CHF 1.3 billion in over 100 countries in 2012.

ABOUT GF HAKAN PLASTIK

GF HAKAN PLASTIK operates in 2 production facilities equipped with the latest manufacturing technologies in Çerkezköy and Şanlıurfa with a workforce of 730 employees. Its headquarters is in Çerkezköy. The company has 6 regional directorates, offices and warehouses in Turkey.

The company has taken its place among the top 500 Enterprises in Turkey according to the worldwide known, prestigious Fortune 500 ranking and also one of the Top 500 Largest Companies in Turkey according to "Istanbul Chamber of Industry (ISO)"



GF Hakan Plastik Çerkezköy Factory

The system quality of GF HAKAN PLASTIK has been certified by BVQI, ISO 9001 and ISO 14001. As a result of a meticulous quality control approach and continuous research and development, product quality of GF HAKAN PLASTIK is confirmed by its international quality certificates.



The company gives top priority to using the highest standards of technology to manufacture user-friendly products with the highest quality and service.

AQUASYSTEM PP-R PIPES & FITTINGS APPROVALS & CERTIFICATES

| | | | | | | | | |
|--|--|---|---|--------------------------------------|--|---|--|---|
|  | TURKEY TURKISH STANDARTS INSTITUTE [14.31.34/87411] |  |  | GERMANY SKZ [72012/06] |  |  | RUSSIA HYGIENE [77.01.16.490. 074908.10.07] |  |
|  | TURKEY HIFZISSIHA INSTITUTE [72411] | |  | SPAIN AENOR [001/005882] |  |  | RUSSIA GOST-R [1519831] [1519837] | |
|  | GERMANY DVGW CERTIFICATE [30.11.2012/ 06-0236-WNE] |  |  | SOUTH AFRICA SABS [9959/15744] |  |  | UKRAINE UKR SEPRO [05.03.02-03/113734] |  |
|  | GERMANY HYGIENE INSTITUTE | |  | HUNGARY EMI [A 738 / 2006] |  |  | UKRAINE HYGIENE [05.03.02-03/7168] | |
|  | UNITED KINGDOM WRAS [1401521] |  | | | | | | |

GF HAKAN AQUASYSTEM PP-R Pipes are manufactured in accordance with the standards of ISO 9001:2008, ISO 14001, DVGW W544, EN ISO 15874-1, EN ISO 15874-2, EN ISO 15874-3, DIN 8077, DIN 8078, TSE K 28, DIN 18836, with a minimum 50 year lifespan.

GENERAL INFORMATION

- GF HAKAN AQUASYSTEM PP-R Pipes and Fittings are suitable for hot and cold water transfers in buildings and underfloor & central heating systems, air ducts or if applicable for other use in industry and agriculture. They have a high resistance for high temperature, pressure and they are suitable for drinking water.
- GF HAKAN AQUASYSTEM is made of PP-R. Its characteristics such as elasticity, tightness, compression strength, special resistance to high temperatures and extraction make AQUASYSTEM one of the most technologically advanced systems available.
- GF HAKAN AQUASYSTEM is produced in diameters between 20mm and 160mm with fittings and complementing accessories.
- GF HAKAN AQUASYSTEM PP-R Pipes are available in 4 different types depending on the application fields and customer expectations:
 - **STANDARD PP-R SYSTEMS**
 - **FASER FIBERGLASS REINFORCED PP-R SYSTEMS**
 - **CLIMAFASER FIBERGLASS REINFORCED PP-R SYSTEMS**
 - **STABLE-ALUMINUM PP-R SYSTEM^S**
- GF HAKAN AQUASYSTEM is manufactured in white, grey, green, blue, beige colours. Different colours are available on request.

BENEFITS

- No Water-Hammer & Low Pressure Drop**
The internal surface of GF HAKAN AQUASYSTEM is smooth, homogeneous and non-porous. Due to low flow resistance, the pressure drop is less. It has higher flow rates and wider range of applications with exceptional impact resistance and reduced noise generation.
- Long Service-Life under Aggressive Working Conditions**
The quality of the raw material and the high manufacturing technology used to produce GF HAKAN AQUASYSTEM ensure long-life reliable products. System lifetime is more than 50 years (under normal working conditions).
- Easy & Low Cost of Installation**
GF HAKAN AQUASYSTEM is extremely light and easy to handle on site. Making a connection is simple, quick and safe. Complete installations are practical and fast with a wide range of fittings. The system offers a fast and simple process, reliable connections, strong, resilient joints, visible quality control, no systematic weak points, less weight than with traditional materials, quick, easy and clean installation works with less noise.
- Hygienic, Non-Toxic & Environmentally friendly**
All material used in the production of GF HAKAN AQUASYSTEM is non-toxic in accordance with current international standards and are completely safe for use with liquid consumables.
Advantages include: - No health risks - Smell and taste neutral - Potable water and food - safe - Completely recyclable - Meeting all health requirements - Chemically resistant - No corrosion and/or encrustation.



FIELDS OF APPLICATION

GF HAKAN AQUASYSTEM PP-R systems are used for hot and cold water systems, including central heating systems.

GF HAKAN AQUASYSTEM PP-R systems are a part of building heating system, including underfloor, wall and radiant heating systems.

GF HAKAN AQUASYSTEM PP-R systems can be directly used in drinking water supply systems. In the central (concentration) air conditioning systems, PP-R systems always play an important part.



GF HAKAN AQUASYSTEM PP-R systems are used to transfer or discharge chemical media, such as industrial piping system.

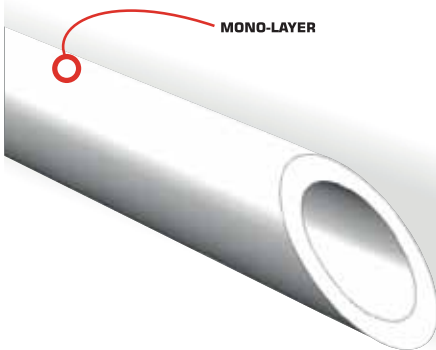
| APPLICATION AREAS | | | | |
|---|---------------------|--|---|-----------------------------------|
| | STANDARD PP-R PIPES | FASER FIBERGLASS REINFORCED PP-R PIPES | CLIMAFASER FIBERGLASS REINFORCED PP-R PIPES | STABLE-ALUMINUM FOILED PP-R PIPES |
| SANITARY APPLICATION | | | | |
| Plumbing | ✓ | ✓ | ✗ | ✓ |
| Mobile System Sanitary | ✓ | ✓ | ✗ | ✓ |
| HEATING & COOLING SYSTEMS | | | | |
| Boiler Transformation | ✗ | ✓ | ✗ | ✓ |
| Mobile System Heating | ✗ | ✓ | ✗ | ✓ |
| Underfloor Heating | ✗ | ✗ | ✗ | ✗ |
| Mobile System Clean Water | ✓ | ✓ | ✓ | ✓ |
| Clima Systems | ✗ | ✗ | ✓ | ✗ |
| POTABLE WATER NETWORK APPLICATIONS | | | | |
| Potable Water Network | ✓ | ✓ | ✗ | ✓ |
| *Exterior Application | ✗ | ✗ | ✗ | ✓ |
| Solar Collector | ✗ | ✗ | ✗ | ✓ |
| Swimming Pool Systems | ✓ | ✓ | ✓ | ✓ |
| Industrial Clean Water Systems | ✓ | ✓ | ✓ | ✓ |



*GF HAKAN AQUASYSTEM can be used for exterior applications after insulation.

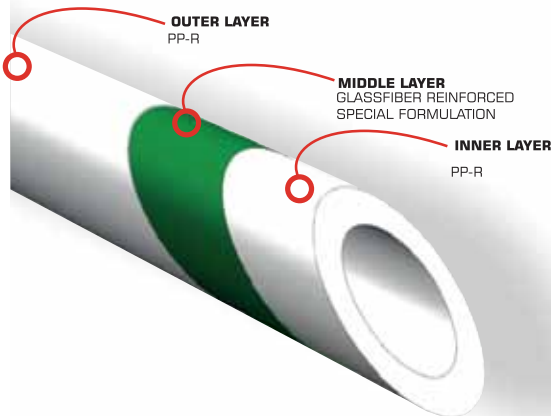
PRODUCT PROPERTIES

STANDARD PP-R PIPE



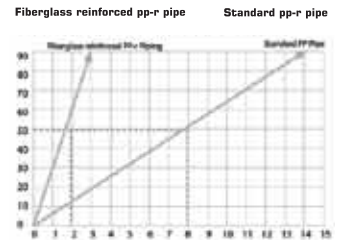
Raw Material : PP-R
Diameter : 20mm - 160mm
Pressure Nominal (PN) : PN10, PN16, PN 20
Standard Dimension Ratio (SDR) : SDR 6, SDR 7,4, SDR 11
Standard : DVGW W544, EN ISO 15874-1, EN ISO 15874-2, EN ISO 15874-3, DIN 8077, DIN 8078, DIN 18836
Service Life : 50 years
Colour : White, Grey, Green, Beige, Blue
Temperature of Operating Media : 20°C - 70°C
Operation & Installation Temperature : 5°C - 45°C
Pipe Length : 4m
Connections : Fusion welding
Coefficient of Thermal Expansion : 0,15mm/mK

FASER FIBERGLASS REINFORCED PP-R PIPE

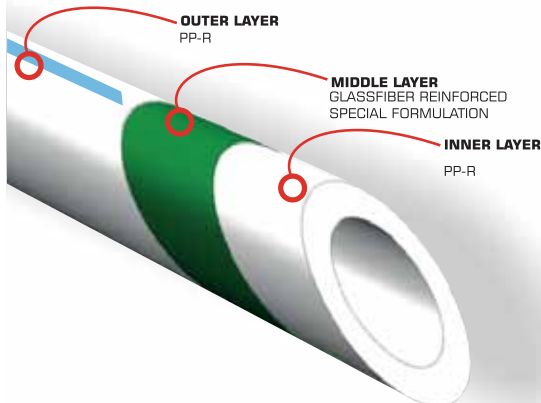


Raw Material : PP-R
Diameter : 20mm - 160mm
Pressure Nominal (PN) : PN 20, PN 25
Standard Dimension Ratio (SDR) : SDR 6, SDR 7,4
Standard : TSE K 28
Service Life : 50 years
Colour : White, Grey, Green, Beige, Blue
Temperature of Operating Media : 20°C - 95°C
Operation & Installation Temperature : 5°C - 45°C
Pipe Length : 4m
Connections : Fusion welding
Coefficient of Thermal Expansion : 0,035mm/mK

Length expansion comparison:

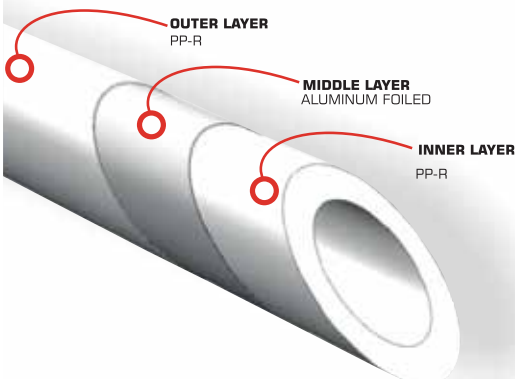


CLIMAFASER FIBERGLASS REINFORCED PP-R PIPE



Raw Material : PP-R
Pressure Nominal (PN) : PN 16, PN 20
Diameter : 20mm - 160mm
Standard Dimension Ratio (SDR) : SDR 7,4, SDR 11
Standard : TSE K 28
Service Life : 50 years
Colour : Green (Blue Striped)
Temperature of Operating Media : 20°C - 95°C
Operation & Installation Temperature : 5°C - 45°C
Pipe Length : 4m
Connections : Fusion welding
Coefficient of Thermal Expansion : 0,035mm/mK

STABLE-ALUMINIUM FOILED PP-R PIPE

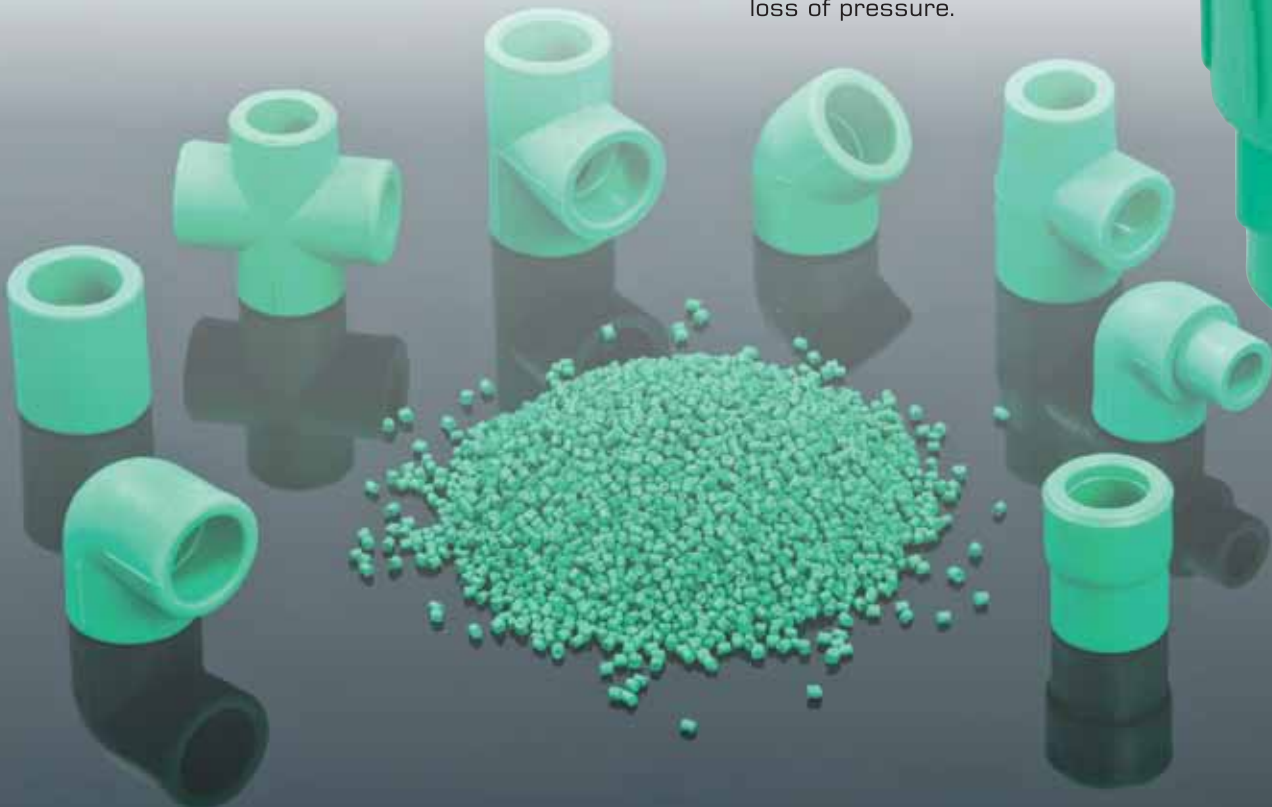


Raw Material : PP-R
Diameter : 20mm - 160mm
Pressure Nominal (PN) : PN 25
Standard Dimension Ratio (SDR) : SDR 6
Standard : EN ISO 15874-1, EN ISO 15874-2, EN ISO 15874-3, DIN 8077, DIN 8078, DIN 18836
Service Life : 50 years
Colour : White, Grey, Green, Beige, Blue
Temperature of Operating Media : 20°C - 95°C
Operation & Installation Temperature : 5°C - 45°C
Pipe Length : 4m
Connections : Peeling + Fusion welding
Coefficient of Thermal Expansion : 0,030mm/mK

AN EXTREMELY WIDE RANGE



All GF HAKAN AQUASYSTEM PP-R pipes and fittings are designed outstandingly by liquidity analysis. This means, the liquid passing through the fittings leaves the fitting with a minimum loss of pressure.



CONNECTING THE PIPES WITH THE FITTINGS

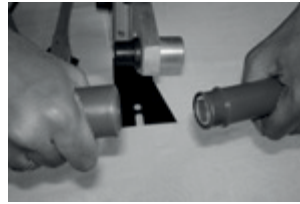
1. Check whether there is any adverse situation at the working area before starting the machine.
2. Heater bushes should be placed on the welding machine so that the parts do not move or are not turned.
3. Plug the welding machine in a 220 volts standard outlet. There is also 110 volts welding machine option.
4. Adjust the temperature to 260°C (500°F). GF Hakan Plastik welding machine involves a fast-indicating surface thermometer.
5. Switch on the power button. Heating up takes 1-3 minutes. (Switching two buttons will provide the heat up time to be shorter.)
6. Thermostat light will dim down automatically as the temperature reaches 260°C (500°F).
7. Insert the pipes and fittings to their respective heater bushes.



8. If UV or stabil pipe is used, completely peel off the exterior layer first. Blunt peeling blades must be replaced by GF HAKAN AQUASYSTEM - approved blades. It will be necessary to make trial peelings to ensure the correct setting of the new blade. Push the end of the pipe into the guide of the peeling tool. Peel off the outer layer up to the stop of the peeling tool. It is not necessary to mark the welding depth as the stop of the peeling tool indicates the correct welding depth. Before starting the fusion, check to ensure the exterior layer has been completely removed.

9. Pipes and Fittings should be heated at the same time. Heating times vary depending on the diameter of the pipe. Heating for too short time can result in improper bonding. Heating for too long can result in ID restriction.

10. After the heating time, quickly remove the pipe and the fitting from the welding tools.



11. Join them immediately, by inserting the pipe straight into the fitting without turning. The result of the fusion is a homogeneous material joining of pipe and fitting.



12. Wait for the cooling down period after the jointing.

13. After the cooling period the fused joint is ready for use.

14. After use, switch off and unplug the welding device. Let it cool down. Never use water to cool the welding device, as this will destroy the temper of the metal. Always keep the heater bushes dry.

15. After completion of the welding process, clean the layouts with a clean cloth or absorbent paper.



The welding of the GF HAKAN AQUASYSTEM FASER FIBERGLASS REINFORCED PP-R Systems are same as of plain, peeling will not be required.

As GF HAKAN AQUASYSTEM FASER FIBERGLASS REINFORCED PP-R Systems do not require peeling, they enable 30% faster application opportunity in comparison with the foil pipes.

SOME REFERENCE PROJECTS

RESIDENCE - TOWERS



HOTELS



HOSPITALS



SHOPPING & BUSINESS CENTERS



PRODUCT RANGE

STANDARD PP-R PIPE [PN10]



| WHITE | CODES | | | DIAMETER (mm) | PACKING (m) |
|---------------|---------------|------|---------------|------------------|----------------|
| | GREEN | BLUE | GREY | | |
| 4000002002021 | 4002002002021 | * | 4001002002021 | 20 | 100 |
| 4000002502121 | 4002002502121 | * | 4001002502121 | 25 | 80 |
| 4000003202221 | 4002003202221 | * | 4001003202221 | 32 | 60 |
| 4000004002321 | 4002004002321 | * | 4001004002321 | 40 | 40 |
| 4000005002421 | 4002005002421 | * | 4001005002421 | 50 | 20 |
| 4000006302521 | 4002006302521 | * | 4001006302521 | 63 | 16 |
| 4000007502621 | 4002007502621 | * | 4001007502621 | 75 | 12 |
| 4000009002721 | 4002009002721 | * | * | 90 | 8 |
| 4000011002821 | 4002011002821 | * | 4001011002821 | 110 | 4 |
| 4000012502921 | * | * | * | 125 | 4 |
| * | * | * | * | 140 | 4 |
| * | * | * | * | 160 | 4 |

STANDARD PP-R PIPE [PN16]



| WHITE | CODES | | | DIAMETER (mm) | PACKING (m) |
|---------------|---------------|---------------|---------------|------------------|----------------|
| | GREEN | BLUE | GREY | | |
| 4000002004021 | 4002002004021 | * | 4001002004021 | 20 | 100 |
| 4000002504121 | 4002002504121 | * | 4001002504121 | 25 | 80 |
| 4000003204221 | 4002003204221 | 4004003204221 | 4001003204221 | 32 | 60 |
| 4000004004321 | 4002004004321 | * | 4001004004321 | 40 | 40 |
| 4000005004421 | 4002005004421 | * | 4001005004421 | 50 | 20 |
| 4000006304521 | 4002006304521 | * | 4001006304521 | 63 | 16 |
| 4000007504621 | 4002007504621 | * | 4001007504621 | 75 | 12 |
| 4000009004721 | 4002009001021 | * | 4001009004721 | 90 | 8 |
| 4000011004821 | 4002011001021 | * | 4001011004821 | 110 | 4 |
| * | 4002012500921 | * | * | 125 | 4 |
| * | * | * | * | 140 | 4 |
| * | * | * | * | 160 | 4 |

STANDARD PP-R PIPE [PN20]



| CODES | | | | DIAMETER (mm) | PACKING (m) |
|---------------|---------------|---------------|---------------|------------------|----------------|
| WHITE | GREEN | BLUE | GREY | | |
| 4000002000121 | 4002002000121 | 4004002000121 | 4001002000121 | 20 | 100 |
| 4000002500221 | 4002002500221 | 4004002500221 | 4001002500221 | 25 | 80 |
| 4000003200321 | 4002003200321 | 4004003200321 | 4001003200321 | 32 | 60 |
| 4000004000421 | 4002004000421 | 4004004000421 | 4001004000421 | 40 | 40 |
| 4000005000521 | 4002005000521 | 4004005000521 | 4001005000521 | 50 | 20 |
| 4000006300621 | 4002006300621 | 4004006300621 | 4001006300621 | 63 | 16 |
| 4000007500721 | 4002007500721 | 4004007500721 | 4001007500721 | 75 | 12 |
| 4000009000821 | 4002009000821 | * | 4001009000821 | 90 | 8 |
| 4000011000921 | 4002011000921 | * | 4001011000921 | 110 | 4 |
| 4000012501021 | 4002012501021 | * | * | 125 | 4 |
| 4000014011121 | 4002014001121 | * | * | 140 | 4 |
| 4000016001221 | 4002016001121 | * | * | 160 | 4 |

FASER FIBERGLASS REINFORCED PP-R PIPE [PN20]



| CODES | | | | DIAMETER (mm) | PACKING (m) |
|---------------|---------------|------|---------------|------------------|----------------|
| WHITE | GREEN | BLUE | GREY | | |
| 4200002000121 | 4202002000121 | * | 4201002000121 | 20 | 100 |
| 4200002500221 | 4202002500221 | * | 4201002500221 | 25 | 80 |
| 4200003200321 | 4202003200321 | * | 4200003200321 | 32 | 60 |
| 4200004000421 | 4202004000421 | * | 4201004000421 | 40 | 40 |
| 4200005000521 | 4202005000521 | * | 4201005000521 | 50 | 20 |
| 4200006300621 | 4202006300621 | * | 4201006300621 | 63 | 16 |
| 4200007500721 | 4202007500721 | * | 4201007500721 | 75 | 12 |
| 4200009000821 | 4202009000821 | * | 4201009000821 | 90 | 8 |
| 4200011000921 | 4202011000921 | * | 4201011000921 | 110 | 4 |
| 4200012500121 | * | * | 4201012500121 | 125 | 4 |
| 4200014000121 | * | * | 4201014000121 | 140 | 4 |
| 4200016000121 | * | * | 4201016000121 | 160 | 4 |

■ FASER FIBERGLASS REINFORCED PP-R PIPE [PN25]



| CODES | | | | DIAMETER (mm) | PACKING (m) |
|---------------|---------------|------|---------------|------------------|----------------|
| WHITE | GREEN | BLUE | GREY | | |
| 4200002002021 | 4202002001021 | * | 4201002002021 | 20 | 100 |
| 4200002502121 | 4202002501121 | * | 4201002502121 | 25 | 80 |
| 4200003202221 | 4202003201221 | * | 4201003202221 | 32 | 60 |
| 4200004002321 | * | * | 4201004002321 | 40 | 40 |
| 4200005002421 | * | * | * | 50 | 20 |
| 4200006302521 | * | * | * | 63 | 16 |
| 4200007506521 | * | * | * | 75 | 12 |
| 4200009006621 | * | * | * | 90 | 8 |
| 4200011006421 | * | * | * | 110 | 4 |
| 4200012500221 | * | * | 4201012500221 | 125 | 4 |
| 4200014000221 | * | * | 4201014000221 | 140 | 4 |
| 4200016000221 | * | * | 4201016000221 | 160 | 4 |

■ CLIMAFASER FIBERGLASS REINFORCED PP-R PIPE [PN16-PN20]



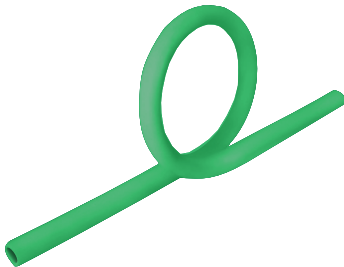
| CODES | DIAMETER (mm) | SDR | PACKING (m) |
|-------|------------------|-----|----------------|
| GREEN | | | |
| * | 20 | 7,4 | 100 |
| * | 25 | 7,4 | 80 |
| * | 32 | 7,4 | 60 |
| * | 32 | 11 | 60 |
| * | 40 | 11 | 40 |
| * | 50 | 11 | 20 |
| * | 63 | 11 | 16 |
| * | 75 | 11 | 12 |
| * | 90 | 11 | 8 |
| * | 110 | 11 | 4 |

■ STABLE-ALUMINUM FOILED PP-R PIPE [PN25]



| | CODES | | | | DIAMETER (mm) | PACKING (m) |
|---------------|---------------|-------|------|---------------|------------------|----------------|
| | WHITE | GREEN | BLUE | GREY | | |
| 4100002000121 | 4102002000121 | * | | 4101002000121 | 20 | 100 |
| 4100002500221 | 4102002500221 | * | | 4101002500221 | 25 | 80 |
| 4100003200321 | 4102003200321 | * | | 4101003200321 | 32 | 60 |
| 4100004000421 | 4102004000421 | * | | 4101004000421 | 40 | 40 |
| 4100005000521 | 4102005000521 | * | | 4101005000521 | 50 | 20 |
| 4100006300621 | 4102006300621 | * | | 4101006300621 | 63 | 16 |
| 4100007500721 | 4102007500721 | * | | 4101007500721 | 75 | 12 |
| 4100009000821 | 4102009000821 | * | | 4101009000821 | 90 | 8 |
| 4100011000921 | 4102011007421 | * | | 4101011000921 | 110 | 4 |

■ OMEGA



| | CODES | | | | DIAMETER (mm) | PACKING (PCS) |
|---------------|-------|-------|------|---------------|------------------|------------------|
| | WHITE | GREEN | BLUE | GREY | | |
| 4300902007022 | * | * | | 4301902007022 | 20 | 15 |
| 4300902507122 | * | * | | 4301902507122 | 25 | 10 |
| 4300903207222 | * | * | | 4301903207222 | 32 | 7 |
| 4300904007322 | * | * | | 4301904007322 | 90 | 5 |

PRODUCT RANGE

■ ELBOW [90°]



| CODES | | | | DIAMETER (mm) | PACKING (PCS) |
|---------------|---------------|---------------|---------------|------------------|------------------|
| WHITE | GREEN | BLUE | GREY | | |
| 4300102000721 | 4302102000721 | 4304102000721 | 4301102000721 | 20 | 400 |
| 4300102500821 | 4302102500821 | 4304102500821 | 4301102500821 | 25 | 250 |
| 4300103200921 | 4302103200921 | 4304103200921 | 4301103200921 | 32 | 125 |
| 4300104001021 | 4302104001021 | 4304104001021 | 4301104001021 | 40 | 75 |
| 4300105001121 | 4302105001121 | 4304105001121 | 4301105001121 | 50 | 40 |
| 4300106301221 | 4302106301221 | 4304106301221 | 4301106301221 | 63 | 20 |
| 4300107501321 | 4302107501321 | * | 4301107501321 | 75 | 15 |
| 4300109001421 | 4302109001421 | * | 4301109001421 | 90 | 8 |
| 4300111001521 | 4302111001521 | * | 4301111001521 | 110 | 3 |
| * | 4302112501622 | * | * | 125 | * |
| * | 4302116001422 | * | * | 160 | * |

■ ELBOW [45°]



| CODES | | | | DIAMETER (mm) | PACKING (PCS) |
|---------------|---------------|---------------|---------------|------------------|------------------|
| WHITE | GREEN | BLUE | GREY | | |
| 4300102000121 | 4302102000121 | 4304102000121 | 4301102000121 | 20 | 400 |
| 4300102500221 | 4302102500221 | 4304102500221 | 4301102500221 | 25 | 300 |
| 4300103200321 | 4302103200321 | 4304103200321 | 4301103200321 | 32 | 175 |
| 4300104000422 | 4302104000422 | 4304104000422 | 4301104000422 | 40 | 80 |
| 4300105000522 | 4302105000522 | 4304105000522 | 4301105000522 | 50 | 40 |
| 4300106300622 | 4302106300622 | 4304106300622 | 4301106300622 | 63 | 20 |
| * | 4302107501222 | * | * | 75 | * |
| * | 4302109001322 | * | * | 90 | * |
| * | 4302111001422 | * | * | 110 | * |
| * | 4302112501522 | * | * | 125 | * |
| * | 4302116001622 | * | * | 160 | * |

■ M-F ELBOW [90°]



| CODES | | | | DIAMETER (mm) | PACKING (PCS) |
|---------------|---------------|---------------|---------------|------------------|------------------|
| WHITE | GREEN | BLUE | GREY | | |
| 4300102005021 | 4302102005021 | 4304102005021 | 4301102005021 | 20x90 | 350 |
| 4300102505121 | 4302102505121 | 4304102505121 | 4301102505121 | 25x90 | 200 |

■ REDUCING ELBOW



| CODES | | | | DIAMETER (mm) | PACKING (PCS) |
|---------------|---------------|------|---------------|------------------|------------------|
| WHITE | GREEN | BLUE | GREY | | |
| 4300402011022 | 4302402010022 | * | 4301402011022 | 20/25 | 200 |
| 4300402511122 | 4302402510122 | * | 4301402511122 | 25/32 | 150 |

PRODUCT RANGE

■ SOCKET



| CODES | | | | DIAMETER (mm) | PACKING (PCS) |
|---------------|---------------|---------------|---------------|------------------|------------------|
| WHITE | GREEN | BLUE | GREY | | |
| 4300502020021 | 4302502020021 | 4304502020021 | 4301502020021 | 20 | 500 |
| 4300502520121 | 4302502520121 | 4304502520121 | 4301502520121 | 25 | 350 |
| 4300503220221 | 4302503220221 | 4304503220221 | 4301503220221 | 32 | 200 |
| 4300504020321 | 4302504020321 | 4304504020321 | 4301504020321 | 40 | 125 |
| 4300505020421 | 4302505020421 | 4304505020421 | 4301505020421 | 50 | 70 |
| 4300506320521 | 4302506320521 | 4304506320521 | 4301506320521 | 63 | 45 |
| 4300507520621 | 4302507520621 | 4304507520621 | 4301507520621 | 75 | 30 |
| 4300509020721 | 4302509020721 | * | 4301509020721 | 90 | 20 |
| 4300511020821 | 4302511020821 | * | 4301511020821 | 110 | 10 |
| * | 4302512520921 | * | * | 125 | * |

■ CROSS



| CODES | | | | DIAMETER (mm) | PACKING (PCS) |
|---------------|---------------|------|---------------|------------------|------------------|
| WHITE | GREEN | BLUE | GREY | | |
| 4300902060022 | 4302902060022 | * | 4301902060022 | 20 | 150 |
| 4300902560122 | 4302902560122 | * | 4301902560122 | 25 | 75 |
| 4300903260222 | 4302903260222 | * | 4301903247222 | 32 | 50 |
| 4300904060322 | 4302904060322 | * | 4301904060322 | 40 | * |

■ REDUCING CROSS



| CODES | | | | DIAMETER (mm) | PACKING (PCS) |
|---------------|-------|------|---------------|------------------|------------------|
| WHITE | GREEN | BLUE | GREY | | |
| 4300902560222 | * | * | 4301902560222 | 25/20 | 100 |
| 4300903260322 | * | * | 4301903260322 | 32/25 | 75 |
| 4300904060422 | * | * | 4301904060422 | 40/32 | * |

■ TEE



| CODES | | | | DIAMETER (mm) | PACKING (PCS) |
|---------------|---------------|---------------|---------------|------------------|------------------|
| WHITE | GREEN | BLUE | GREY | | |
| 4300902008021 | 4302902008021 | 4304902008021 | 4301902008021 | 20 | 250 |
| 4300902508121 | 4302902508121 | 4304902508121 | 4301902508121 | 25 | 150 |
| 4300903208221 | 4302903208221 | 4304903208321 | 4301903208221 | 32 | 100 |
| 4300904008321 | 4302904008321 | 4304904008421 | 4301904008321 | 40 | 50 |
| 4300905008421 | 4302905008421 | 4304905008521 | 4301905008421 | 50 | 30 |
| 4300906308521 | 4302906308521 | 4304906308621 | 4301906308521 | 63 | 20 |
| 4300907508621 | 4302907508621 | 4304907508721 | 4301907508621 | 75 | 10 |
| 4300909008721 | 4302909008721 | * | 4301909008721 | 90 | 7 |
| 4300911008821 | 4302911008821 | * | 4301911008821 | 110 | 3 |
| * | 4302912508922 | * | * | 125 | * |
| * | 4302916009022 | * | * | 160 | * |

PRODUCT RANGE

■ REDUCING TEE



| CODES | | | | DIAMETER (mm) | PACKING (PCS) |
|---------------|---------------|---------------|---------------|------------------|------------------|
| WHITE | GREEN | BLUE | GREY | | |
| 4300902520021 | 4302902520021 | 4304902520021 | 4301902520021 | 25 - 20 - 20 | 200 |
| 4300902520121 | 4302902520121 | 4304902520121 | 4301902520121 | 25 - 20 - 25 | 175 |
| 4300903220221 | 4302903220221 | 4304903220221 | 4301903220221 | 32 - 20 - 20 | 125 |
| 4300903220421 | 4302903220421 | 4304903220421 | 4301903220421 | 32 - 20 - 32 | 100 |
| 4300903220521 | 4302903220521 | 4304903220521 | 4301903220521 | 32 - 25 - 20 | 125 |
| 4300903220621 | 4302903220621 | 4304903220621 | 4301903220621 | 32 - 25 - 32 | 100 |
| 4300903220321 | 4302903220321 | 4304903220321 | 4301903220321 | 32 - 20 - 25 | 125 |
| 4300904020721 | 4302904020721 | 4304904020721 | 4301904020721 | 40 - 20 - 40 | 50 |
| 4300904020821 | 4302904020821 | 4304904020821 | 4301904020821 | 40 - 25 - 40 | 50 |
| 4300904020921 | 4302904020921 | 4304904020921 | 4301904020921 | 40 - 32 - 40 | 50 |
| 4300905021021 | 4302905021021 | * | 4301905021021 | 50 - 20 - 50 | 40 |
| 4300905021221 | 4302905021221 | * | 4301905021221 | 50 - 25 - 50 | 30 |
| 4300905021321 | 4302905021321 | * | 4301905021321 | 50 - 32 - 50 | 30 |
| 4300905021421 | 4302905021421 | * | 4301905021421 | 50 - 40 - 50 | 30 |
| 4300906321322 | 4302906321322 | * | * | 63 - 20 - 63 | * |
| 4300906321422 | 4302906321422 | * | * | 63 - 25 - 63 | * |
| 4300906321522 | 4302906321522 | * | 4301906321522 | 63 - 32 - 63 | 16 |
| 4300906321622 | 4302906321622 | * | 4301906321622 | 63 - 40 - 63 | 16 |
| 4300906321722 | 4302906321722 | * | 4301906321722 | 63 - 50 - 63 | 16 |
| * | 4302907521722 | * | * | 75 - 63 - 75 | * |
| 4300909021722 | 4302909021722 | * | * | 90 - 75 - 90 | * |
| 4300911021622 | * | * | * | 110 - 75 - 110 | * |
| 4300911021722 | 4302911021722 | * | * | 110 - 90 - 110 | * |
| * | 4302912521822 | * | * | 125 - 110 - 125 | * |
| * | 4302916021922 | * | * | 160 - 110 - 160 | * |

■ BLIND CAP



| CODES | | | | DIAMETER (mm) | PACKING (PCS) |
|---------------|---------------|---------------|---------------|------------------|------------------|
| WHITE | GREEN | BLUE | GREY | | |
| 4300902008021 | 4302902014021 | 4304902014021 | 4301902014021 | 20 | 700 |
| 4300902508121 | 4302902514121 | 4304902514121 | 4301902514121 | 25 | 500 |

PRODUCT RANGE

■ REDUCER



| CODES | | | | DIAMETER (mm) | PACKING (PCS) |
|---------------|---------------|---------------|---------------|------------------|------------------|
| WHITE | GREEN | BLUE | GREY | | |
| 4300402510021 | 4302402510021 | 4304402510021 | 4301402510021 | 25 - 20 | 500 |
| 4300403210121 | 4302403210121 | 4304403210121 | 4301403210121 | 32 - 20 | 400 |
| 4300403210221 | 4302403210221 | 4304403210221 | 4301403210221 | 32 - 25 | 350 |
| 4300404010321 | 4302404010321 | 4304404010321 | 4301404010321 | 40 - 20 | 250 |
| 4300404010421 | 4302404010421 | 4304404010421 | 4301404010421 | 40 - 25 | 250 |
| 4300404010521 | 4302404010521 | 4304404010521 | 4301404010521 | 40 - 32 | 175 |
| 4300405010621 | 4302405010621 | 4304405010621 | 4301405010621 | 50 - 20 | 150 |
| 4300405010721 | 4302405010721 | 4304405010721 | 4301405010721 | 50 - 25 | 150 |
| 4300405010821 | 4302405010821 | 4302405010821 | 4301405010821 | 50 - 32 | 150 |
| 4300405010921 | 4302405010921 | 4304405010921 | 4301405010921 | 50 - 40 | 100 |
| 4300406311021 | 4302406311021 | 4304406311021 | 4301406311021 | 63 - 25 | 75 |
| 4300406311121 | 4302406311121 | 4304406311121 | 4301406311121 | 63 - 32 | 75 |
| 4300406311221 | 4302406311221 | 4304406311221 | 4301406311221 | 63 - 40 | 75 |
| 4300406311321 | 4302406311321 | 4304406311321 | 4301406311321 | 63 - 50 | 50 |
| 4300407511421 | 4302407511421 | 4304407511421 | 4301407511421 | 75 - 50 | 40 |
| 4300407511521 | 4300407511521 | 4304407511521 | 4301407511521 | 75 - 63 | 40 |
| 4300409011622 | 4302409011622 | * | 4301409011622 | 90 - 63 | 20 |
| 4300409011722 | 4302409011722 | * | 4301409011722 | 90 - 75 | 16 |
| 4300411011822 | 4302411011822 | * | 4301411011822 | 110 - 75 | 12 |
| 4300411011922 | 4302411011922 | * | 4301411011922 | 110 - 90 | 12 |
| * | 4302412512022 | * | * | 125 - 75 | * |
| * | 4302412512122 | * | * | 125 - 90 | * |
| * | 4302412512222 | * | * | 125 - 110 | * |
| * | 4302416012322 | * | * | 160 - 125 | * |

■ END CAP



| CODES | | | | DIAMETER (mm) | PACKING (PCS) |
|---------------|---------------|---------------|---------------|------------------|------------------|
| WHITE | GREEN | BLUE | GREY | | |
| 4300902006021 | 4302902006021 | 4304902006021 | 4301902006021 | 20 | 1.000 |
| 4300902506121 | 4302902506121 | 4304902506121 | 4301902506121 | 25 | 600 |
| 4300903206221 | 4302903206221 | 4304903206221 | 4301903206221 | 32 | 300 |
| 4300904006321 | 4302904006321 | 4304904006321 | 4301904006321 | 40 | 175 |
| 4300905006421 | 4302905006421 | 4304905006421 | 4301905006421 | 50 | 100 |
| 4300906306522 | 4302906306522 | 4304906306521 | 4301906306522 | 63 | 50 |
| 4300907506622 | 4302907506622 | 4304907506621 | 4301907506622 | 75 | 25 |
| 4300909006822 | 4302909032022 | * | * | 90 | 18 |
| 4300911006722 | 4302911006722 | * | 4301911006722 | 110 | 12 |

PRODUCT RANGE

■ SADDLE WITH SPIGOT



| WHITE | CODES | | | DIAMETER (mm) | PACKING (PCS) |
|-------|---------------|------|------|------------------|------------------|
| | GREEN | BLUE | GREY | | |
| * | 4302904090022 | * | * | 40 - 20 | * |
| * | 4302904090122 | * | * | 40 - 25 | * |
| * | 4302905090022 | * | * | 50 - 20 | * |
| * | 4302905090122 | * | * | 50 - 25 | * |
| * | 4302906390022 | * | * | 63 - 20 | * |
| * | 4302906390122 | * | * | 63 - 25 | * |
| * | 4302906390222 | * | * | 63 - 32 | * |
| * | 4302907590022 | * | * | 75 - 20 | * |
| * | 4302907590122 | * | * | 75 - 25 | * |
| * | 4302907590222 | * | * | 75 - 32 | * |
| * | 4302907590322 | * | * | 75 - 40 | * |
| * | 4302909090022 | * | * | 90 - 20 | * |
| * | 4302909090122 | * | * | 90 - 25 | * |
| * | 4302909090222 | * | * | 90 - 32 | * |
| * | 4302909090322 | * | * | 90 - 40 | * |
| * | 4302911090022 | * | * | 110 - 20 | * |
| * | 4302911090122 | * | * | 110 - 25 | * |
| * | 4302911090222 | * | * | 110 - 32 | * |
| * | 4302911090322 | * | * | 110 - 40 | * |
| * | 4302912590022 | * | * | 125 - 20 | * |
| * | 4302912590122 | * | * | 125 - 25 | * |
| * | 4302912590222 | * | * | 125 - 32 | * |
| * | 4302912590322 | * | * | 125 - 40 | * |

■ THREADED FEMALE SADDLE WITH SPIGOT



| WHITE | CODES | | | DIAMETER (mm) | PACKING (PCS) |
|-------|---------------|------|------|------------------|------------------|
| | GREEN | BLUE | GREY | | |
| * | 4302904091122 | * | * | 40 - 1/2" | * |
| * | 4302905091122 | * | * | 50 - 1/2" | * |
| * | 4302905091022 | * | * | 50 - 3/4" | * |
| * | 4302906391122 | * | * | 63 - 1/2" | * |
| * | 4302906391022 | * | * | 63 - 3/4" | * |
| * | 4302907591122 | * | * | 75 - 1/2" | * |
| * | 4302907591022 | * | * | 75 - 3/4" | * |
| * | 4302907591222 | * | * | 75 - 1" | * |
| * | 4302909091122 | * | * | 90 - 1/2" | * |
| * | 4302909091022 | * | * | 90 - 3/4" | * |
| * | 4302909091222 | * | * | 90 - 1" | * |
| * | 4302911091122 | * | * | 110 - 1/2" | * |
| * | 4302911091022 | * | * | 110 - 3/4" | * |
| * | 4302911091222 | * | * | 110 - 1" | * |
| * | 4302912591122 | * | * | 125 - 1/2" | * |
| * | 4302912591022 | * | * | 125 - 3/4" | * |
| * | 4302912591222 | * | * | 125 - 1" | * |

PRODUCT RANGE

FLANGE ADAPTOR



| CODES | | | | DIAMETER (mm) | PACKING (PCS) |
|-------|---------------|------|------|------------------|------------------|
| WHITE | GREEN | BLUE | GREY | | |
| * | 4302902533022 | * | * | 25 | * |
| * | 4302903233022 | * | * | 32 | * |
| * | 4302904033022 | * | * | 40 | * |
| * | 4302905033022 | * | * | 50 | * |
| * | 4302906333022 | * | * | 63 | * |
| * | 4302907533022 | * | * | 75 | * |
| * | 4302909033022 | * | * | 90 | * |
| * | 4302911033022 | * | * | 110 | * |
| * | 4302912533022 | * | * | 125 | * |
| * | 4302916033022 | * | * | 160 | * |

ELECTROFUSION COUPLER



| CODES | | | | DIAMETER (mm) | PACKING (PCS) |
|-------|---------------|------|------|------------------|------------------|
| WHITE | GREEN | BLUE | GREY | | |
| * | 4302902091522 | * | * | 20 | * |
| * | 4302902591522 | * | * | 25 | * |
| * | 4302903291522 | * | * | 32 | * |
| * | 4302904091522 | * | * | 40 | * |
| * | 4302905091522 | * | * | 50 | * |
| * | 4302906391522 | * | * | 63 | * |
| * | 4302907591522 | * | * | 75 | * |
| * | 4302909091522 | * | * | 90 | * |
| * | 4302911091522 | * | * | 110 | * |
| * | 4302912591522 | * | * | 125 | * |
| * | 4302916091522 | * | * | 160 | * |

UNION



| CODES | | | | DIAMETER (mm) | PACKING (PCS) |
|---------------|---------------|---------------|---------------|------------------|------------------|
| WHITE | GREEN | BLUE | GREY | | |
| 4300902028022 | 4302902028022 | 4304902028022 | 4301902028022 | 20 | 30 |
| 4300902528122 | 4302902528122 | * | 4301902528122 | 25 | 24 |
| 4300903228222 | 4302903228222 | * | 4301903228222 | 32 | 24 |
| 4300904028322 | 4302904028322 | * | 4301904028322 | 40 | 12 |
| 4300905028422 | 4302905028422 | * | 4301905028422 | 50 | 24 |
| 4300906328522 | 4302906328522 | * | 4301906328522 | 63 | 12 |
| 4300907528622 | 4302907528622 | * | 4301907528622 | 75 | 10 |
| 4300909032522 | 4302909028722 | * | * | 90 | 6 |

CROSSOVER WITH SOCKET



| CODES | | | | DIAMETER (mm) | PACKING (PCS) |
|---------------|---------------|---------------|---------------|------------------|------------------|
| WHITE | GREEN | BLUE | GREY | | |
| 4300902000121 | 4302902000121 | 4304902000121 | 4301902000121 | 20 | 130 |
| 4300902500221 | 4302902500221 | 4304902500221 | 4301902500221 | 25 | 80 |
| 4300903200321 | 4302903200321 | 4304903200321 | 4301903200321 | 32 | 30 |

PRODUCT RANGE

■ CROSSOVER WITH SOCKET (SHORT)



| CODES | | | | DIAMETER (mm) | PACKING (PCS) |
|---------------|---------------|------|------|------------------|------------------|
| WHITE | GREEN | BLUE | GREY | | |
| 4300902000122 | * | * | * | 20 | 500 |
| 4300902500222 | 4302902500222 | * | * | 25 | 500 |

■ FEMALE SOCKET (ROUND)



| CODES | | | | DIAMETER (mm) | (Inch) | PACKING (PCS) |
|---------------|---------------|---------------|---------------|------------------|--------|------------------|
| WHITE | GREEN | BLUE | GREY | | | |
| 4300902520021 | 4302702030021 | 4304702030021 | 4301702030021 | 20 | 1/2" | 200 |
| 4300902520121 | 4302702030121 | 4304702030121 | 4301702030121 | 20 | 3/4" | 175 |
| 4300903220221 | 4302702530221 | 4304702530221 | 4301702530221 | 25 | 1/2" | 125 |
| 4300903220421 | 4302702530321 | 4304702530321 | 4301702530321 | 25 | 3/4" | 100 |
| 4300903220521 | 4302703230421 | 4304703230421 | 4301703230421 | 32 | 1" | 125 |
| 4300703225321 | 4302703225322 | * | 4301703225322 | 32 | 3/4" | 100 |

■ MALE SOCKET (ROUND)



| CODES | | | | DIAMETER (mm) | (Inch) | PACKING (PCS) |
|---------------|---------------|---------------|---------------|------------------|--------|------------------|
| WHITE | GREEN | BLUE | GREY | | | |
| 4300702032021 | 4302702032021 | 4304702032021 | 4301702032021 | 20 | 1/2" | 250 |
| 4300702032121 | 4302702032121 | 4304702032121 | 4301702032121 | 20 | 3/4" | 250 |
| 4300702532221 | 4302702532221 | 4304702532221 | 4301702532221 | 25 | 1/2" | 200 |
| 4300702532321 | 4302702532321 | 4304702532321 | 4301702532321 | 25 | 3/4" | 200 |
| 4300703232421 | 4302703232421 | 4304703232421 | 4301703232421 | 32 | 1" | 100 |
| 4300703227321 | 4302703227421 | * | * | 32 | 3/4" | 100 |

■ FEMALE SOCKET (HEXAGON)



| CODES | | | | DIAMETER (mm) | (Inch) | PACKING (PCS) |
|---------------|---------------|---------------|---------------|------------------|---------|------------------|
| WHITE | GREEN | BLUE | GREY | | | |
| 4300703225021 | 4302703227021 | * | 4301703227021 | 32 | 1" | 80 |
| 4300704025121 | 4302704025121 | 4304704025121 | 4301704025121 | 40 | 1.1/4" | 50 |
| 4300705025221 | 4302705025221 | 4304705025221 | 4301705025221 | 50 | 1. 1/2" | 40 |
| 4300706325321 | 4302706325321 | 4304706325321 | 4301706325321 | 63 | 2" | 20 |
| 4300707525422 | 4302707525422 | 4304707525421 | 4301707525422 | 75 | 2.1/2" | 12 |
| 4300709025622 | 4302709028422 | * | 4301709025622 | 90 | 3" | 3 |
| 4300711025522 | 4302711025522 | * | 4301709025622 | 110 | 4" | 2 |

■ MALE SOCKET (HEXAGON)



| CODES | | | | DIAMETER (mm) | (Inch) | PACKING (PCS) |
|---------------|---------------|---------------|---------------|------------------|---------|------------------|
| WHITE | GREEN | BLUE | GREY | | | |
| 4300703227021 | 4302703227121 | * | 4301703227121 | 32 | 1" | 80 |
| 4300704027121 | 4302704027121 | 4304704027121 | 4301704027221 | 40 | 1.1/4" | 50 |
| 4300705027221 | 4302705027221 | 4304705027221 | 4301705027321 | 50 | 1. 1/2" | 40 |
| 4300706327321 | 4302706327321 | 4304706327321 | 4301706327421 | 63 | 2" | 20 |
| 4300707527422 | 4302707527422 | 4304707527421 | 4301707527522 | 75 | 2.1/2" | 12 |
| 4300709027522 | 4302709029422 | * | 4301709027722 | 90 | 3" | 3 |
| 4300711027622 | 4302711027622 | * | 4301711027622 | 110 | 4" | 2 |

PRODUCT RANGE

MALE ELBOW



| CODES | | | | DIAMETER (mm) | (Inch) | PACKING (PCS) |
|---------------|---------------|---------------|---------------|------------------|--------|------------------|
| WHITE | GREEN | BLUE | GREY | | | |
| 4300102007021 | 4302102007021 | 4304102006021 | 4301102007021 | 20 | 1/2" | 200 |
| 4300102007121 | 4302102007121 | 4304102006121 | 4301102007121 | 20 | 3/4" | 180 |
| 4300102507221 | 4302102507221 | 4304102506221 | 4301102507221 | 25 | 1/2" | 180 |
| 4300102507321 | 4302102507321 | 4304102506321 | 4301102507321 | 25 | 3/4" | 100 |
| 4300103207421 | 4302103207421 | 4304103206421 | 4301103207421 | 32 | 3/4" | 75 |
| 4300103207521 | 4302103207521 | 4304103206521 | 4301103207521 | 32 | 1" | 80 |

FEMALE ELBOW



| CODES | | | | DIAMETER (mm) | (Inch) | PACKING (PCS) |
|---------------|---------------|---------------|---------------|------------------|--------|------------------|
| WHITE | GREEN | BLUE | GREY | | | |
| 4300102006021 | 4302102006021 | 4304102006021 | 4301102006021 | 20 | 1/2" | 200 |
| 4300102006121 | 4302102006121 | 4304102006121 | 4301102006121 | 20 | 3/4" | 200 |
| 4300102506221 | 4302102506221 | 4304102506221 | 4301102506221 | 25 | 1/2" | 175 |
| 4300102506321 | 4302102506321 | 4304102506321 | 4301102506321 | 25 | 3/4" | 140 |
| 4300103206421 | 4302103206421 | 4304103206421 | 4301103206421 | 32 | 3/4" | 75 |
| 4300103206521 | 4302103206521 | 4304103206521 | 4301103206521 | 32 | 1" | 75 |

TRANSITION TEE FEMALE



| CODES | | | | DIAMETER (mm) | (Inch) | PACKING (PCS) |
|---------------|---------------|---------------|---------------|------------------|--------|------------------|
| WHITE | GREEN | BLUE | GREY | | | |
| 4300902010021 | 4302902010021 | 4304902010021 | 4301902010021 | 20 | 1/2" | 160 |
| 4300902010121 | 4302902010121 | 4304902010121 | 4301902010121 | 20 | 3/4" | 160 |
| 4300902510221 | 4302902510221 | 4304902510221 | 4301902510221 | 25 | 1/2" | 120 |
| 4300902510321 | 4302902510321 | 4304902510321 | 4301902510321 | 25 | 3/4" | 120 |
| 4300903210421 | 4302903210421 | 4304903210421 | 4301903210421 | 32 | 3/4" | 75 |
| 4300903210521 | 4302903210521 | 4304903210521 | 4301903210521 | 32 | 1" | 70 |

TRANSITION TEE MALE



| CODES | | | | DIAMETER (mm) | (Inch) | PACKING (PCS) |
|---------------|---------------|---------------|---------------|------------------|--------|------------------|
| WHITE | GREEN | BLUE | GREY | | | |
| 4300902012021 | 4302902012021 | 4304902012021 | 4301902012021 | 20 | 1/2" | 150 |

BACKPLATE ELBOW [FEMALE]



| CODES | | | | DIAMETER (mm) | (Inch) | PACKING (PCS) |
|---------------|---------------|---------------|---------------|------------------|--------|------------------|
| WHITE | GREEN | BLUE | GREY | | | |
| 4300102008021 | 4302102008021 | * | 4301102008021 | 20 | 1/2" | 100 |
| 4300102508221 | 4302102508221 | 4304902508221 | 4301102508221 | 25 | 1/2" | 100 |
| 4300102008121 | 4302102008121 | * | 4301102008121 | 20 | 3/4" | 100 |
| 4300102508321 | 4302102508321 | * | 4301102508321 | 25 | 3/4" | 100 |

PRODUCT RANGE

■ BACKPLATE ELBOW [MALE]



| CODES | | | | DIAMETER (mm) | (Inch) | PACKING (PCS) |
|---------------|---------------|------|---------------|------------------|--------|------------------|
| WHITE | GREEN | BLUE | GREY | | | |
| 4300102009021 | 4302102009021 | * | 4301102009021 | 20 | 1/2" | 100 |
| 4300102509122 | 4302102509222 | * | 4301102509122 | 25 | 1/2" | 100 |
| 4300102509221 | 4302102509221 | * | 4301102509221 | 25 | 3/4" | 100 |

■ DISTRIBUTION MANIFOLD



| CODES | | | | DIAMETER (mm) | (Inch) | PACKING (PCS) |
|---------------|---------------|---------------|---------------|------------------|--------|------------------|
| WHITE | GREEN | BLUE | GREY | | | |
| 4300902002321 | 4302902002321 | 4304902002321 | 4301902002321 | 25 | 1/2" | 15 |

■ BACKPLATE ELBOW [DOUBLE]



| CODES | | | | DIAMETER (mm) | (Inch) | PACKING (PCS) |
|---------------|---------------|---------------|---------------|------------------|--------|------------------|
| WHITE | GREEN | BLUE | GREY | | | |
| 4300902502121 | 4302902502121 | 4304902502121 | 4301902502121 | 25 | 1/2" | 80 |

■ BACKPLATE ELBOW



| CODES | | | | DIAMETER (mm) | (Inch) | PACKING (PCS) |
|---------------|---------------|---------------|---------------|------------------|--------|------------------|
| WHITE | GREEN | BLUE | GREY | | | |
| 4300902002021 | 4302902002021 | 4304902002021 | 4301902002021 | 20 | 1/2" | 100 |

■ BACKPLATE ELBOW ASSEMBLY SET



| CODES | | | | DIAMETER (mm) | (Inch) | PACKING (PCS) |
|---------------|-------|------|---------------|------------------|--------|------------------|
| WHITE | GREEN | BLUE | GREY | | | |
| 4300902527021 | * | * | 4301902527021 | 25 | 1/2" | 5 |

■ BACKPLATE ELBOW ASSEMBLY SET



| CODES | | | | DIAMETER (mm) | (Inch) | PACKING (PCS) |
|---------------|-------|------|------|------------------|--------|------------------|
| WHITE | GREEN | BLUE | GREY | | | |
| 4300902010022 | * | * | * | 20 | 1/2" | 60 |

PRODUCT RANGE

BACKPLATE ELBOW [DOUBLE]



| CODES | | | | DIAMETER (mm) | (Inch) | PACKING (PCS) |
|---------------|-------|------|---------------|------------------|--------|------------------|
| WHITE | GREEN | BLUE | GREY | | | |
| 4300902002022 | * | * | 4301902002022 | 20 | 1/2" | 50 |

TRANSITION WITH LOOSE NUT



| CODES | | | | DIAMETER (mm) | (Inch) | PACKING (PCS) |
|---------------|---------------|---------------|---------------|------------------|--------|------------------|
| WHITE | GREEN | BLUE | GREY | | | |
| 4300902013021 | 4302902013021 | * | 4301902013021 | 20 | 1/2" | 300 |
| 4300902513321 | 4302902513321 | 4304802513321 | 4301902513321 | 25 | 1" | 150 |
| 4300902513121 | * | * | 4301902513121 | 25 | 1/2" | 100 |
| 4300902513221 | 4302902513221 | 4304902513221 | 4301902513221 | 25 | 3/4" | 200 |

FEMALE TRANSITION JOINT [HEXAGON]



| CODES | | | | DIAMETER (mm) | (Inch) | PACKING (PCS) |
|---------------|---------------|---------------|---------------|------------------|--------|------------------|
| WHITE | GREEN | BLUE | GREY | | | |
| 4300902003021 | 4302702003021 | 4304902003021 | * | 20 | 1/2" | 300 |
| 4300902503421 | 4302902003121 | 4304902003121 | * | 20 | 3/4" | 150 |
| 4300902503321 | 4302702503121 | 4304902503321 | * | 25 | 3/4" | 150 |
| 4300903203521 | 4302703203521 | 4304903203521 | * | 32 | 1" | 150 |
| 4300904005022 | 4302904005022 | * | 4301904005022 | 40 | 1.1/4" | 30 |
| 4300905005122 | 4302905005122 | * | 4301905005122 | 50 | 1.1/2" | 25 |
| 4300906305222 | 4302906305222 | * | 4301906305222 | 63 | 2" | 10 |

MALE TRANSITION JOINT [HEXAGON]



| CODES | | | | DIAMETER (mm) | (Inch) | PACKING (PCS) |
|---------------|---------------|---------------|---------------|------------------|--------|------------------|
| WHITE | GREEN | BLUE | GREY | | | |
| 4300902004021 | 4302702003021 | 4304902004021 | * | 20 | 1/2" | 300 |
| 4300902004121 | 4302902003121 | 4304902004121 | * | 20 | 3/4" | 150 |
| 4300902504321 | 4302702503121 | 4304902504321 | * | 25 | 3/4" | 150 |
| 4300903204521 | 4302703203521 | 4304903204521 | * | 32 | 1" | 125 |
| 4300904005322 | 4302904005322 | * | 4301904005322 | 40 | 1.1/4" | 25 |
| 4300905005422 | 4302905005422 | * | 4301905005422 | 50 | 1.1/2" | 25 |
| 4300906305522 | 4302906305522 | * | 4301906305522 | 63 | 2" | 10 |

CHECK VALVE



| CODES | | | | DIAMETER (mm) | PACKING (PCS) |
|---------------|---------------|---------------|---------------|------------------|------------------|
| WHITE | GREEN | BLUE | GREY | | |
| 4300902031022 | 4302902031022 | 4304902031021 | 4301902031022 | 20 | 12 |
| 4300902531122 | 4302902531122 | 4304902531121 | 4301902531122 | 25 | 12 |
| 4300903231222 | 4300903231222 | 4304903231221 | 4301903231222 | 32 | 12 |
| 4300904031322 | 4302904031322 | 4304904031321 | 4301904031322 | 40 | 12 |
| 4300905031422 | 4302905031422 | 4304905031421 | 4301905031422 | 50 | 12 |
| 4300906331522 | 4302906331522 | 4304906331521 | 4301906331522 | 63 | 12 |
| 4300907531622 | 4302907531622 | 4304907531621 | 4301907531622 | 75 | 4 |
| 4300909031722 | 4302909031722 | * | * | 90 | 4 |

PRODUCT RANGE

■ GATE VALVE



| CODES | | | | DIAMETER (mm) | (Inch) | PACKING (PCS) |
|---------------|---------------|---------------|---------------|------------------|--------|------------------|
| WHITE | GREEN | BLUE | GREY | | | |
| 4300802035021 | 4302802035021 | 4304802035021 | 4301802035021 | 20 | 1/2" | 75 |
| 4300802535121 | 4302802535121 | 4304802535121 | 4301802535121 | 25 | 3/4" | 60 |
| 4300803235221 | 4302803235221 | 4304803235221 | 4301803235221 | 32 | 1" | 40 |

■ SPECIAL BALL VALVE



| CODES | | | | DIAMETER (mm) | PACKING (PCS) |
|---------------|---------------|---------------|---------------|------------------|------------------|
| WHITE | GREEN | BLUE | GREY | | |
| 4300802042822 | 4302902031721 | 4304902031721 | 4301802042822 | 20 | 60 |
| 4300802542922 | 4302802542922 | 4304902531821 | 4301802542922 | 25 | 50 |
| 4300803243022 | 4302803243022 | * | 4301803243022 | 32 | 25 |
| 4300804043622 | 4302804043622 | * | 4301804060422 | 40 | 25 |
| 4300805043722 | 4302805043722 | * | 4301805060522 | 50 | 25 |
| 4300806343822 | 4302806343822 | * | 4301806343822 | 63 | 25 |
| 4300807543422 | 4302807543922 | * | * | 75 | 25 |

■ CHROMIUM VALVE [SHORT]



| CODES | | | | DIAMETER (mm) | (Inch) | PACKING (PCS) |
|---------------|---------------|---------------|---------------|------------------|--------|------------------|
| WHITE | GREEN | BLUE | GREY | | | |
| 4300802060722 | 4302802040021 | 4304802040021 | 4301802040021 | 20 | 1/2" | 50 |
| 4300802560822 | 4302802540221 | 4304802540221 | 4301802540221 | 25 | 3/4" | 40 |
| 4300803260922 | 4302803240421 | 4304803240421 | 4301803240421 | 32 | 1" | 40 |

■ CHROMIUM VALVE [LONG]



| CODES | | | | DIAMETER (mm) | (Inch) | PACKING (PCS) |
|---------------|---------------|---------------|---------------|------------------|--------|------------------|
| WHITE | GREEN | BLUE | GREY | | | |
| 4300802040121 | 4302802040121 | 4304802040121 | 4301802040121 | 20 | 1/2" | 50 |
| 4300802540321 | 4302802540321 | 4304802540321 | 4301802540321 | 25 | 3/4" | 40 |
| 4300803240521 | 4302802540321 | 4304803240521 | 4301803240521 | 32 | 1" | 40 |

■ SPECIAL CHROMIUM VALVE [LONG]



| CODES | | | | DIAMETER (mm) | (Inch) | PACKING (PCS) |
|---------------|---------------|------|---------------|------------------|--------|------------------|
| WHITE | GREEN | BLUE | GREY | | | |
| 4300802060722 | * | * | 4301802040621 | 20 | 1/2" | 50 |
| 4300802560822 | * | * | 4301802540721 | 25 | 3/4" | 40 |
| 4300803260922 | 4302803240621 | * | * | 32 | 1" | 40 |

PRODUCT RANGE

■ BALL VALVE [PN16]



| CODES | | | | DIAMETER (mm) | PACKING (PCS) |
|---------------|---------------|------|---------------|------------------|------------------|
| WHITE | GREEN | BLUE | GREY | | |
| 4300802042522 | 4302802042522 | * | 4301802042522 | 20 | 12 |
| 4300802542622 | 4302802542622 | * | 4301802542622 | 25 | 12 |
| 4300803242722 | 4302803242722 | * | 4301803242722 | 32 | 12 |
| 4300804043122 | 4302804043122 | * | 4301804043122 | 40 | 12 |
| 4300805043222 | 4302805043222 | * | 4301805043222 | 50 | 12 |
| 4300806343322 | 4302806343322 | * | 4301806343322 | 63 | 12 |
| 4300807543422 | 4302807543422 | * | 4301807543422 | 75 | 4 |
| 4300809043522 | 4302809043522 | * | 4301809043522 | 90 | 4 |

■ SINGLE CLAMP



| CODES | | | | DIAMETER (mm) | PACKING (PCS) |
|---------------|---------------|---------------|---------------|------------------|------------------|
| WHITE | GREEN | BLUE | GREY | | |
| 4300902025021 | 4302902025021 | 4304902025021 | 4301902025021 | 20 | 1.000 |
| 4300902525121 | 4302902525121 | 4304902525121 | 4301902525121 | 25 | 700 |
| 4300903225221 | 4302903225221 | 4304903225221 | 4301903225221 | 32 | 500 |
| 4300904025322 | 4302904025322 | * | 4301904025322 | 40 | 500 |
| 4300905025422 | 4302905025422 | * | 4301905025422 | 50 | 500 |
| 4300906331622 | * | * | * | 63 | 100 |
| 4300907532022 | * | * | * | 75 | 100 |
| 4300909032022 | * | * | * | 90 | 100 |
| 4300911009022 | * | * | * | 110 | 100 |

■ DOUBLE CLAMP



| CODES | | | | DIAMETER (mm) | PACKING (PCS) |
|---------------|---------------|---------------|---------------|------------------|------------------|
| WHITE | GREEN | BLUE | GREY | | |
| 4300902025521 | 4302902025521 | 4304902025521 | 4301902025521 | 20 | 400 |
| 4300902525621 | 4302902525621 | 4304902525621 | 4301902525621 | 25 | 250 |
| 4300903225722 | 4302903225722 | 4304903225722 | 4301903225722 | 32 | 250 |

■ SHARPENER [METAL]



| CODES | DIAMETER (mm) | PACKING (PCS) |
|---------------|------------------|------------------|
| 4301902040082 | 20-25 | 70 |
| 4301903240182 | 32-40 | 50 |
| 4301905040282 | 50-63 | 1 |
| 4301907540382 | 75-90 | 8 |

■ SHARPENER [PLASTIC]



| CODES | DIAMETER (mm) | PACKING (PCS) |
|---------------|------------------|------------------|
| 4300902041022 | 20-25 | 70 |
| 4300903241122 | 32-40 | 50 |

PRODUCT RANGE

HEATER BUSH



| CODES | DIAMETER (mm) | PACKING (PCS) |
|---------------|---------------|---------------|
| 4301902045082 | 20 | 300 |
| 4301902545182 | 25 | 200 |
| 4301903245282 | 32 | 200 |
| 4301904045382 | 40 | 40 |
| 4301905045482 | 50 | 70 |
| 4301906345582 | 63 | 45 |
| 4301907545682 | 75 | 30 |
| 4301909045782 | 90 | 5 |
| 4301911045882 | 110 | 5 |

BOILER SET [STRAIGHT & ANGLED]



| CODES | TYPE |
|---------------|----------|
| 4300900050122 | STRAIGHT |
| 4300900050022 | ANGLED |

| INCLUDES (Straight Type) | QUANTITY |
|-----------------------------|----------|
| 25 mm Filter | 1 |
| 20 mm Filter | 1 |
| 20 mm Special Ball Valve | 1 |
| 25 mm Special Ball Valve | 1 |
| 20 1/2" Socket With Cap Nut | 2 |
| 25 3/4" Socket With Cap Nut | 2 |



FUSION WELDING SET (Diameter:20mm-40mm)

| CODES | PACKING (PCS) |
|---------------|---------------|
| 4301900044282 | 1 |



SPECIAL WELDING SET (Diameter:50mm-110mm)

| CODES | PACKING (PCS) |
|---------------|---------------|
| 4301900044382 | 1 |



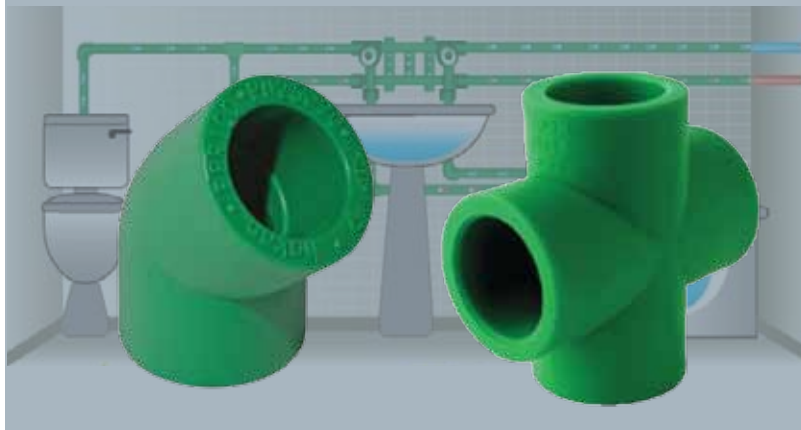
WELDING SET (Diameter:20mm-40mm)

| CODES | PACKING (PCS) |
|---------------|---------------|
| 4301900044082 | 1 |

PIPE CUTTER



| CODES | PACKING (PCS) |
|---------------|---------------|
| 4301900043082 | 1 |



HEAD OFFICE

HEPWORTH PME LLC DUBAI

P.O.Box 2345, Dubai, UAE
Tel: +971 4 2894670
Fax: +971 4 2894620 /1
Email: info@corys.ae

SALES/CUSTOMER SERVICE
customer.service@corys.ae

U.A.E. OFFICES

ABU DHABI

P.O. Box: 4894, Abu Dhabi, UAE
Tel: +971 2 6727585
Fax: +971 2 6783578
Email: hpmeauh@corys.ae

AL AIN

P.O. Box: 80862, Al Ain, UAE
Tel: +971 3 7210727
Fax: +971 3 7211292
Email: hpmealn@corys.ae

QATAR OFFICE

DOHA

HEPWORTH PME (QATAR) W.L.L.
P.O. Box 50207, Doha, Qatar
Tel: +974 44506810
Fax: +974 44506811
Email: info@hepworthpme.com.qa

MESAIEED

HEPWORTH PME (QATAR) W.L.L.
P.O. Box 50207, Mesaieed, Qatar
Tel: +974 44760588
Fax: +974 44760525

OMAN

CORYS PIPE INDUSTRY LLC
P.O Box: 117, PC 130,
Muscat, Sultanate of Oman
Tel: +96824217626/20
Fax: +968 24210032
Email: info.oman@corys.ae

BAHRAIN

HEPWORTH W.L.L.
Building 1, Avenue 0010
P.O. Box 143, Manama, Bahrain
Tel: +973 17672050
Fax: +973 17672583
Email: info.bahrain@corys.ae

SAUDI ARABIA

ABDUL GHAFFAR INDUSTRIES LLC
Al Nuwar Bint Malik Street,
Building 18 - Al Rawdah District
Tel: +966 547900444
Email: info.ksa@corys.ae

www.hepworth.ae